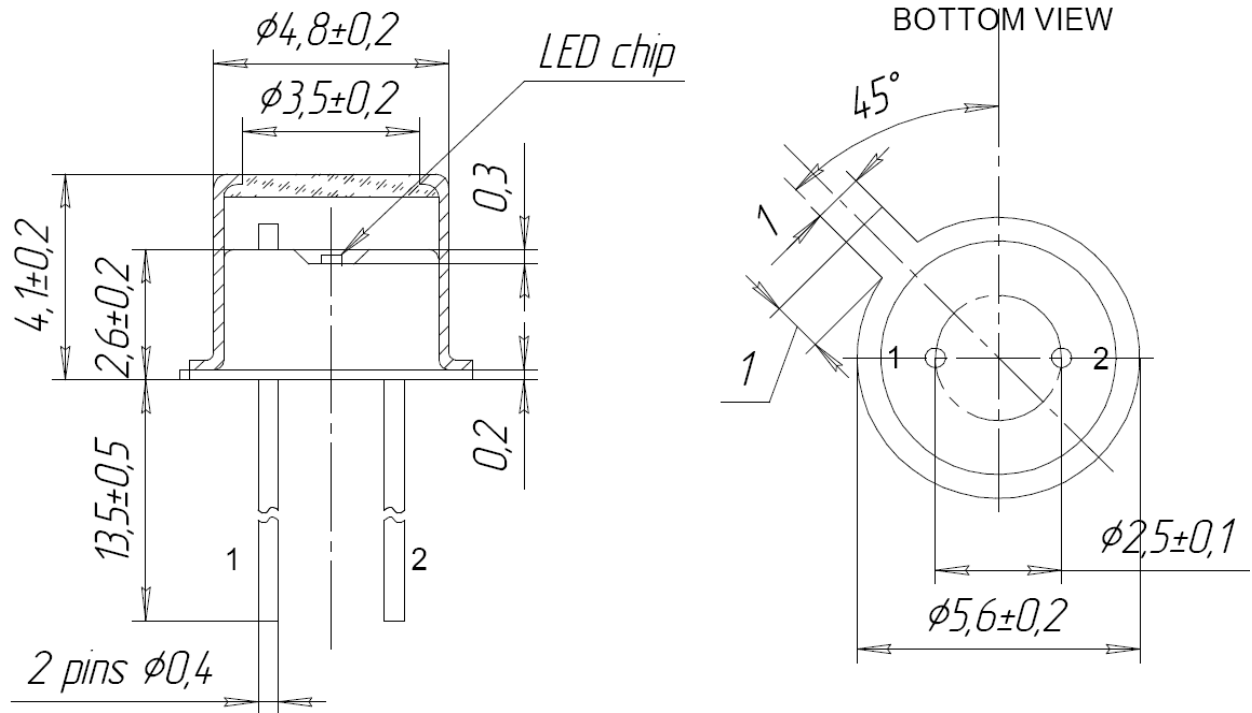


TO-18 Package



1 - LED cathode

2 - LED anode