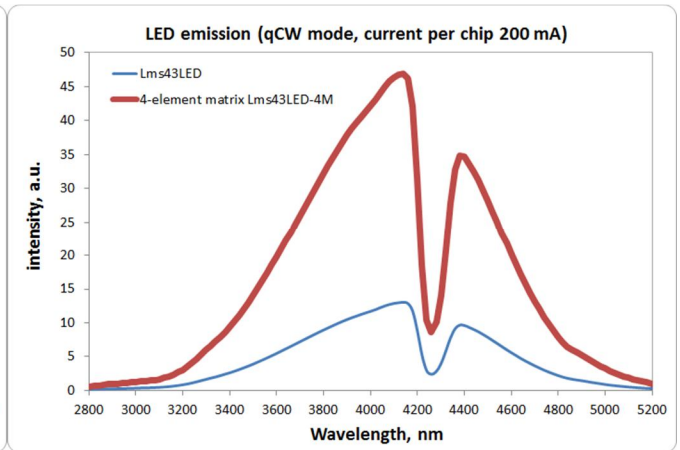
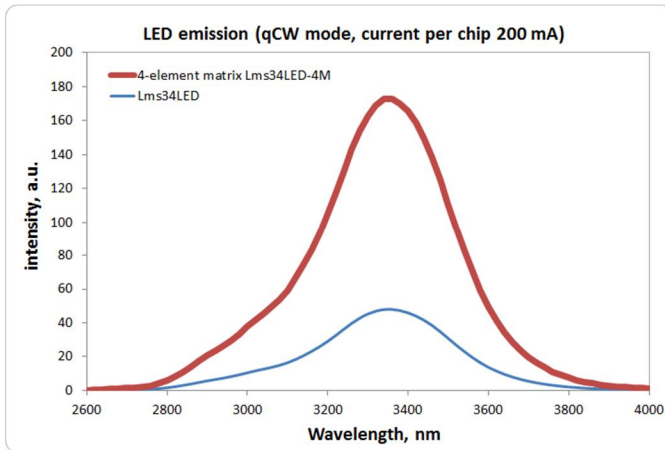


LED Microsensor NT presents its new standard **4-element one-wavelength LED matrices** with peak wavelengths at **3.4 and 4.3  $\mu\text{m}$**  in TO18 package with a cap/reflector and with a sapphire window or in TO5 package with a built-in thermoelectric module with a cap/reflector and with a sapphire window.



### Standard one-wavelength LED matrix models

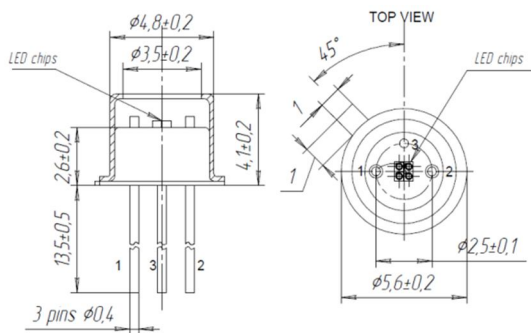
Model	Peak emission wavelength, $\mu\text{m}$		FWHM of the emission band, nm		Power, $\mu\text{W}$				Voltage*, V	Maximum operating current, mA		Operating temperature range, $^{\circ}\text{C}$
	min	max	min	max	QCW mode*		Pulse mode**			QCW mode	Pulse mode	
					min	max	min	max				
Lms34LED-4M	3.30	3.49	400	600	90	160	1000	1700	0.2-0.5	1000	8000	-60 to +80
Lms43LED-4M	4.10	4.30	700	1000	25	45	650	800	0.2-0.8			

\* Repetition rate: 0.5 kHz, pulse duration: 1 ms, duty circle: 50%, current: 800 mA

\*\* Repetition rate: 2 kHz, pulse duration: 0.5  $\mu\text{s}$ , duty circle: 0.1%, current: 4 A

### Standard matrix packages:

#### TO-18 package with a cap



#### TO-18 package with a reflector

